



Service Info



Tensioner pulleys 531 0535 20 and 531 0819 10

Observe correct installation arrangement

Manufacturer: Honda, Opel, Vauxhall

Models:

Honda: Civic

Opel: Astra, Combo, Corsa, Meriva, Mokka, Zafira

Vauxhall: Astra, Combo, Corsa, Meriva, Mokka, Zafira

Engines: 1.7 DI, 1.7 DTI, 1.7 CDTI

Part no.: 531 0535 20
531 0819 10

For current listing refer to catalogue media

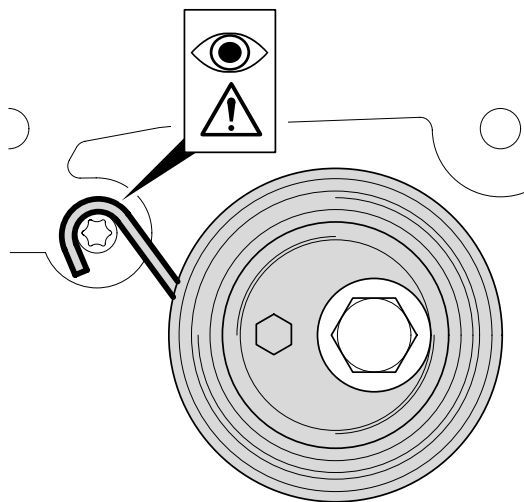


Fig. 1: Correct installation of the spring on its anchor bolt

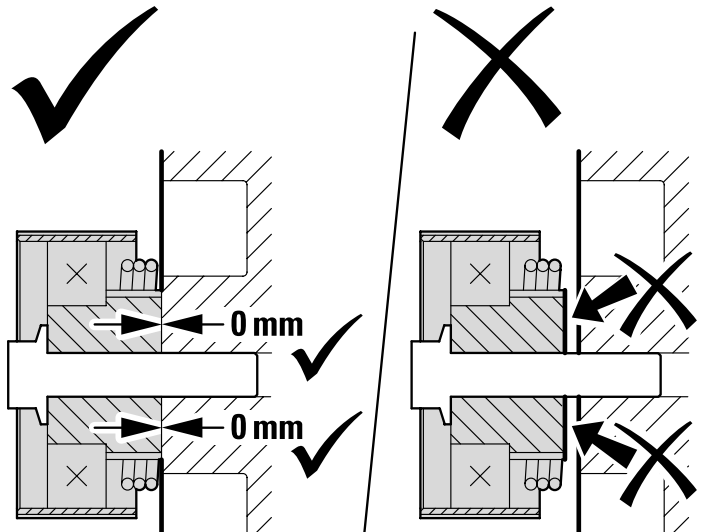


Fig. 2: Left – Tensioner roller contacts the full face of its mounting surface on the engine
Right – Tensioner roller does not contact the full face of its mounting surface on the engine

During installation, the spring of the tensioner pulley can become trapped behind the tensioner mounting face. As a result, it no longer sits correctly on the mounting surface of the engine (Fig. 2, right). The tensioner roller is not lined up with the other components and the toothed belt runs out of alignment.

For this reason, take care to ensure that the tensioner roller contacts the full face of the mounting surface (Fig. 2, left) and that the end of the torsion spring is correctly hooked over its anchor bolt (Fig. 1).

After installation of the timing drive components, be absolutely sure to verify the correct alignment of the toothed belt.

Please observe the vehicle manufacturer specifications!

You want more? We can help!

Phone: +44 (0) 1432 264 264

Fax: +44 (0) 1432 375 760

aftermarket.uk@schaeffler.com

www.repxpert.co.uk



SCHAEFFLER

REP>XPERT